

# Kinetrol Modular Spring Units with Pilot-hole

Kinetrol's modular spring units sizes 03, 05, 07, 08, 14 and 15 are available with a special modified female drive which incorporates a coupling with a 5mm dia x 19mm deep pilot-hole which enables the customer to machine the coupling themselves to any output drive required, for example double D or a non standard Kinetrol female square size.

These can also be incorporated into our modular manual fail safe spring handles (sizes 03 to 07) and modular fire failsafe units (sizes 05 and 07).



## Options/Product Code

Model Size	Part Number	Spring Direction	Mounting Flange
03	033F0E0	ACW	F03/F05/F07
	033F0F0	CW	F03/F05/F07
	033F0G0	ACW	F04
	033F0H0	CW	F04
05	053F0E0	ACW	F03/F05/F07
	053F0F0	CW	F03/F05/F07
	053F0G0	ACW	F04
	053F0H0	CW	F04
07	073F0E0	ACW	F05/F07
	073F0F0	CW	F05/F07
08	083F0E0	ACW	F05/F07
	083F0F0	CW	F05/F07
14	143F0E0	ACW	F12
	143F0F0	CW	F12
15	153F0E0	ACW	F14
	153F0F0	CW	F14

For ANSI replace "3" with "7" (eg 057F0F0)

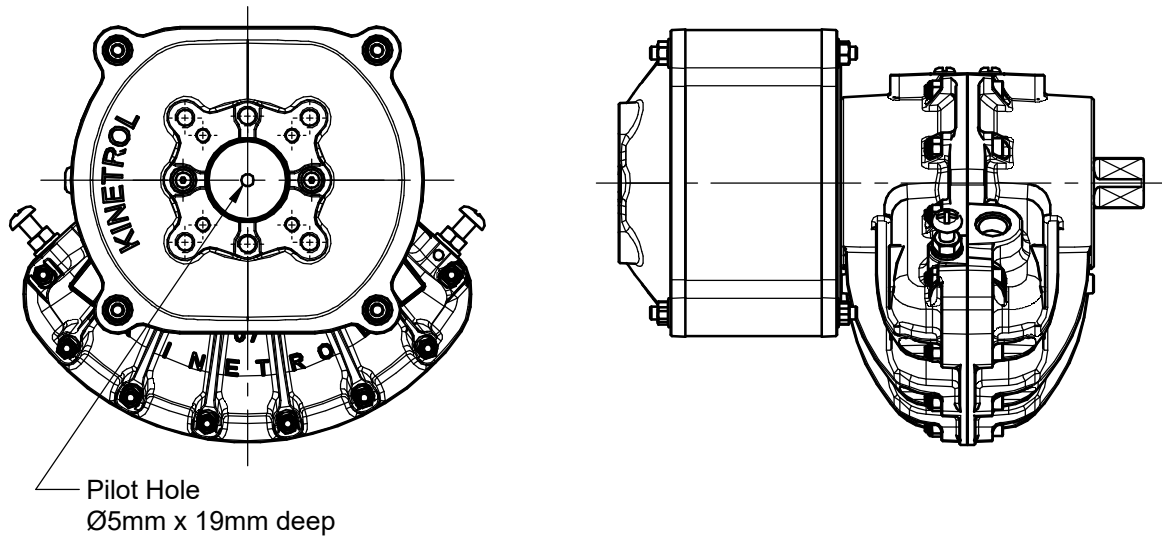
ACW - Anti-clockwise  
CW- Clockwise

To order a modular manual fail safe spring unit with pilot-hole add -1006 to the end of the above code.

To order a modular fire fail safe spring unit with pilot-hole for 74°C temperature yield add -0074 and for 100°C temperature yield add -0100 to the end of the code.

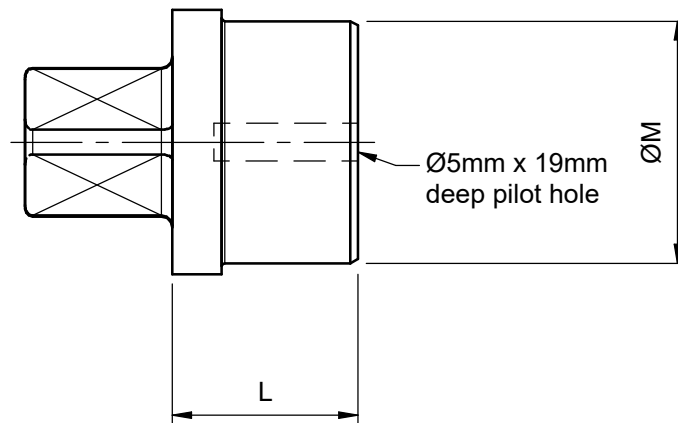
# Kinetrol Modular Spring Units with Pilot-hole

## Dimensions



For dimensions see WEBDS 066 page 3

## Pilot-hole coupling



Model Size	L MM	ØM MM	L INCHES	ØM INCHES
03	22.0	25	0.866	0.984
05	22.0	25	0.866	0.984
07	24.5	32	0.965	1.260
08	24.5	32	0.965	1.260
14	49.5	70	1.949	2.760
15	49.5	70	1.949	2.760