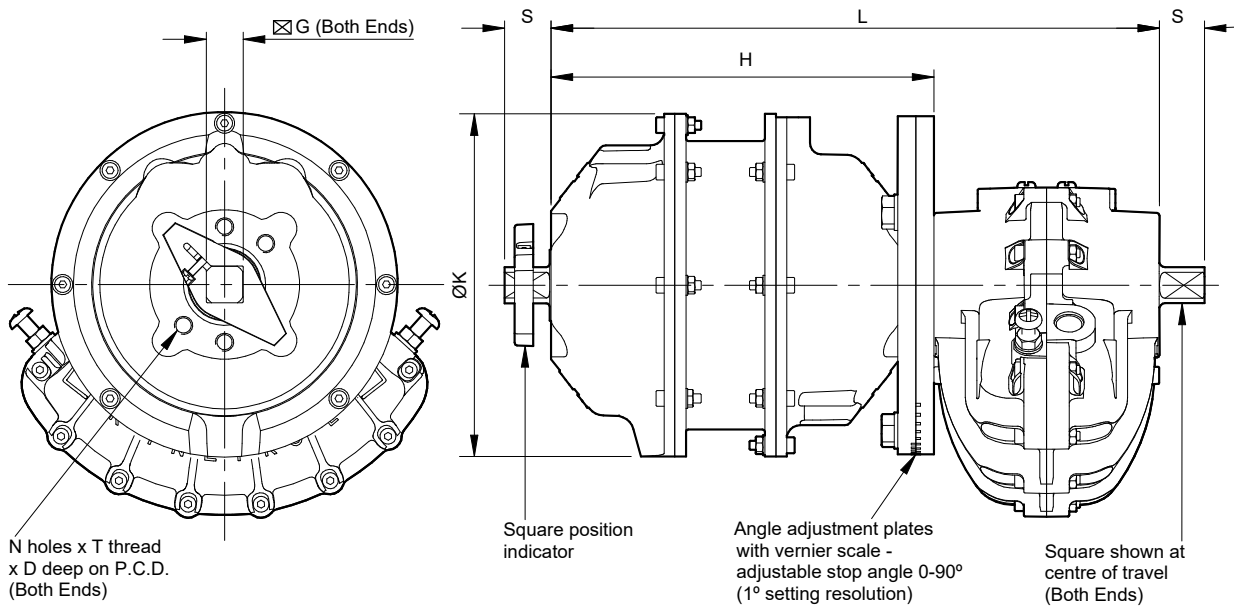


# Kinetrol Spring to Centre Dimensions



Actuator Model	L mm	H mm	K mm	$\boxtimes G$ mm	S mm	N No.	T ISO	D mm	PCD mm	Wgt* kg
050-1205	178	111	119	9.5	13	6	M5	10	34.9	3.5
070-1205	270	170	152	16.0	20	4	M8	16	50.9	10.2
090-1205	328	202	200	19.0	26	4	M10	20	65.0	23.6
120-1205	466	310	258	25.0	31	4	M12	22	77.8	36.0
140-1205	640	440	400	28.6	38	4	M16	28	98.8	124.0
160-1205	880	606	400	41.0	55	4	M24	38	152.7	200.0
180-1205	1163	803	532	57.0	78	4	M30	50	226.3	445.0

\* Weight includes standard coupling