

Kinetrol Model 02 & 03 Type 72 Limit Switch Box

Specification

Materials of Construction

Casing: Pressure diecast zinc alloy

Output Shaft: Plated mild steel

Finish: Epoxy stove enamel

Cable Entry: 2 entries
M20 x 1.5 Conduit thread
or
1/2" NPS

Weight

0.3 kg / 0.66 lb

Operating Temperature

See switch temperatures.



Switch Options

Switch Type 004

2 x 3 wire microswitches for SPDT.

Ambient temperature range -40°C to +80°C
(-40°F to +176°F)

Switch Type 005

2 x 2 wire proximity sensors 20-250 volts AC,
10-300 volts DC, normally open.

Ambient temperature range -25°C to +70°C
(-13°F to +158°F)

Switch Type 006

2 x 2 wire proximity sensors 5-60 volts DC,
normally open, with LED status indicators.

Ambient temperature range -20°C to +80°C
(-4°F to +176°F)

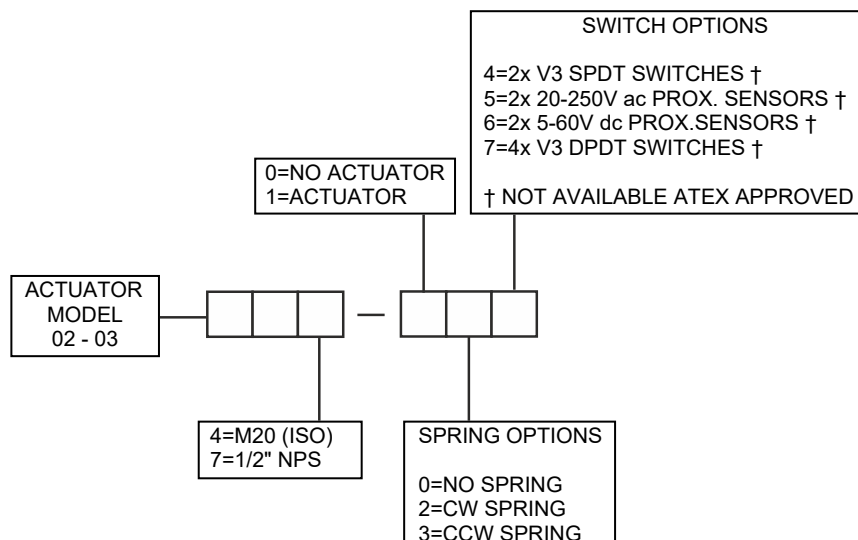
Switch Type 007

4 x 3 wire microswitches for DPDT.

Ambient temperature range -40°C to +80°C
(-40°F to +176°F)



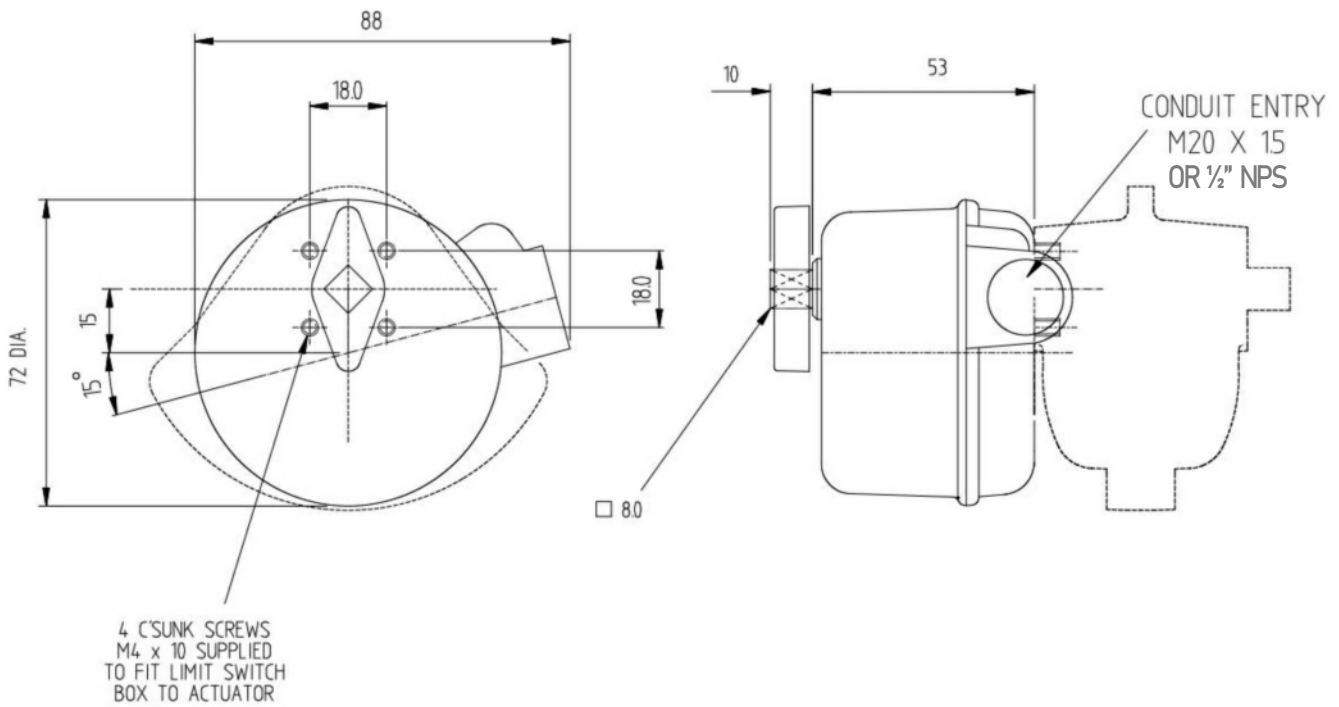
Ordering Codes



Kinetrol Model 02 & 03 Type 72 Limit Switch Box

Dimensions

Model 02



Model 03

