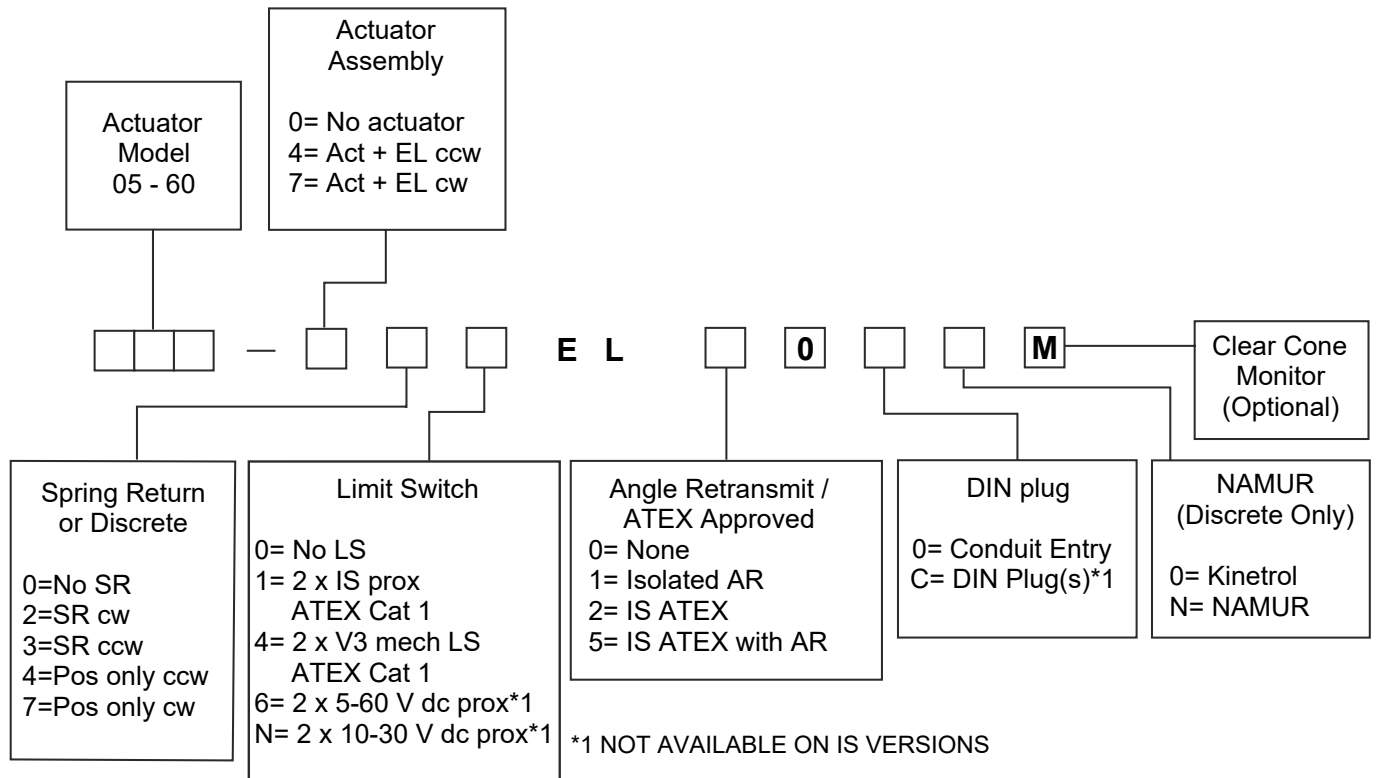


# Kinetrol EL Positioner Ordering Codes

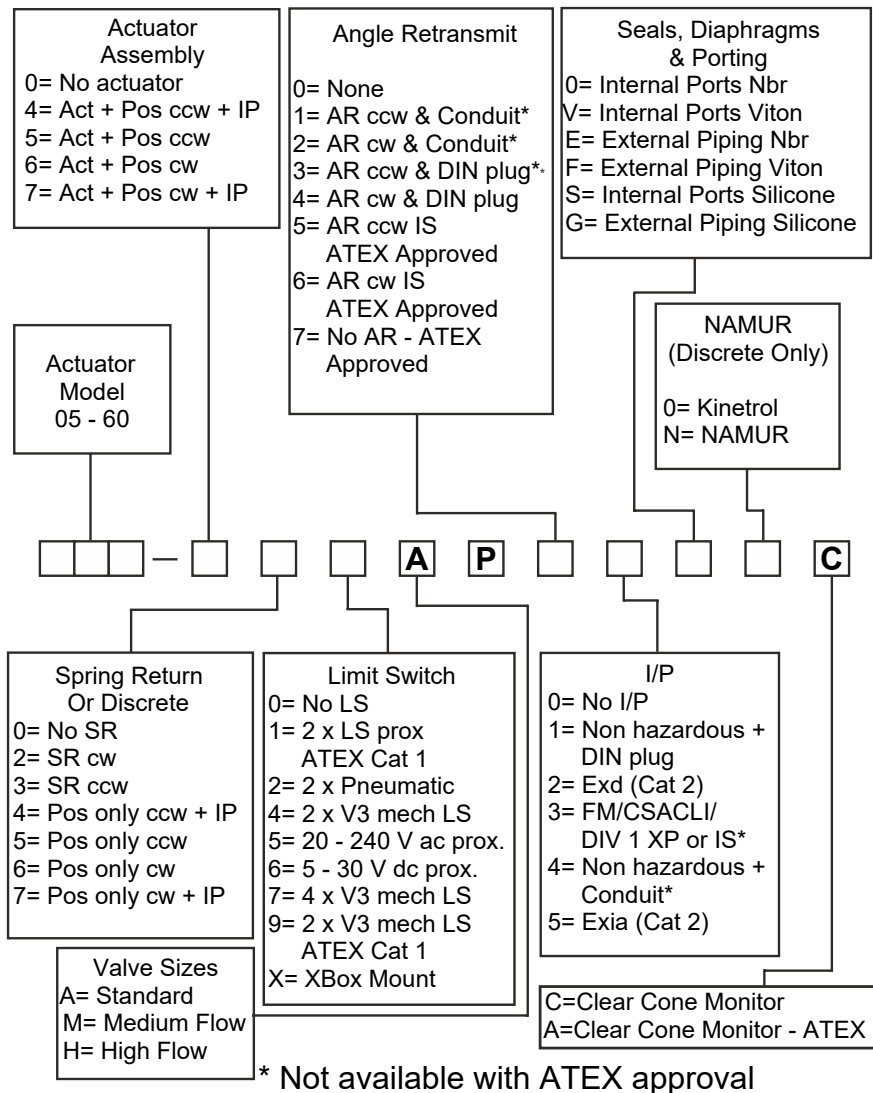


Counter clockwise on rising signal is determined looking down on positioner

## Examples

- 004-040EL000N      Discrete counter clockwise (ccw) EL with NAMUR.
- 054-404EL0000M      05 Double acting actuator with ccw EL complete with 2x V3 mech switches and clear cone monitor

# Kinetrol AP Positioner Ordering Codes



A (standard) valve is supplied with all sizes up to and including Model 09.  
 M (medium flow) valve is supplied with Models 10-15.  
 H (high flow) valve is supplied with Models 16-60.

Unless specifically requested otherwise - Recommended spring unit for model 14 actuator is -4900 type.

This should be coded 12□49AP or 13□49AP instead of the usual 12□AP or 13□AP. The same applies to other specially coded spring assemblies.

## Examples

- 074-064AP0000C AP positioner clockwise, 2 x V3 mech limit switches and clear monitor.
- 103-400MP1400 Model 10 double acting actuator with MP positioner counter clockwise angle re-transmit counter clockwise and non hazardous I/P controller with conduit entries.