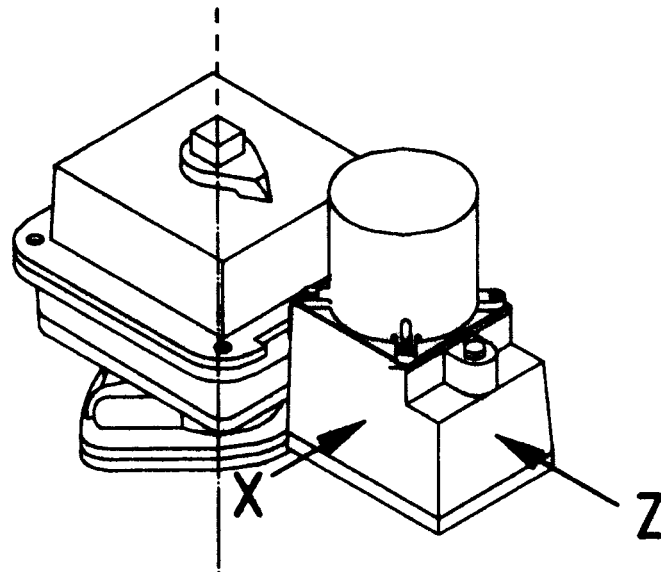
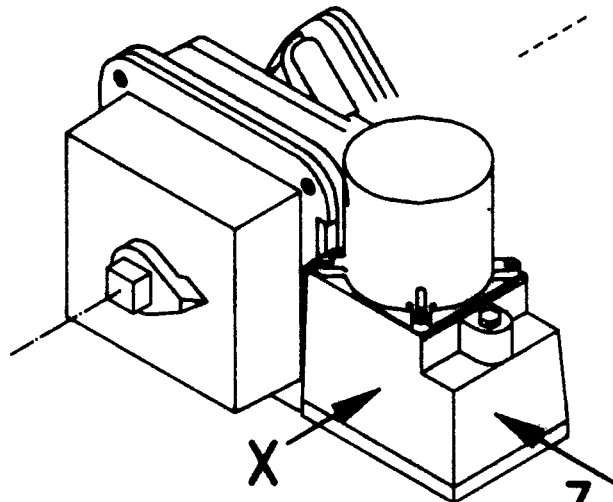


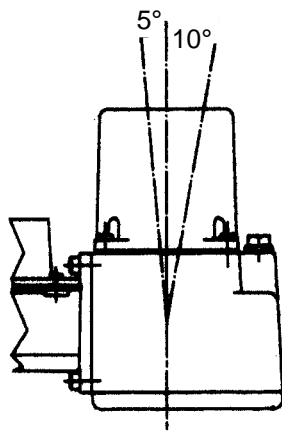
Title: EHD Maximum Pump/Motor Deviation from Vertical



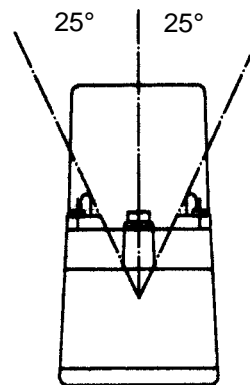
VERTICAL AXIS



HORIZONTAL AXIS



VIEW ON ARROW "X"



VIEW ON ARROW "Z"

KF - 227 -10/94

ISSUE
A

A.J.K.
5-11-97

KINETROL

Trading Estate Farnham Surrey England

Doc No. TD.97
Page 1 of 1