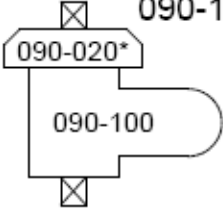
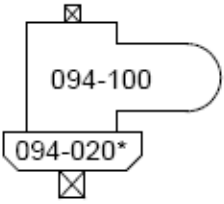
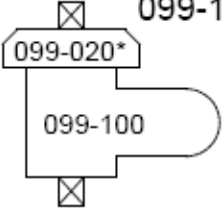
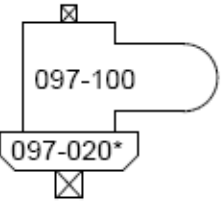
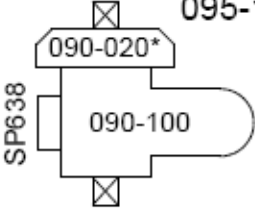
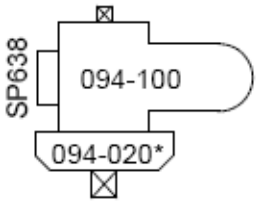
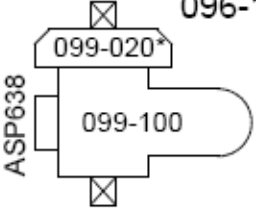
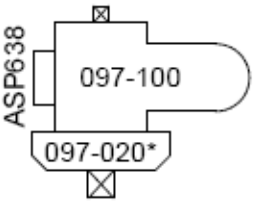
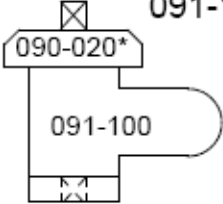
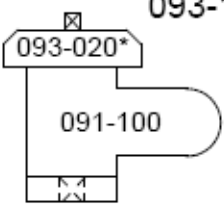
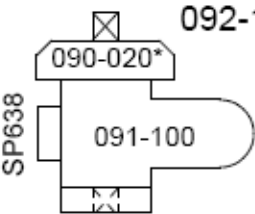
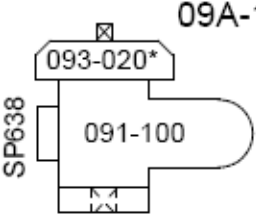
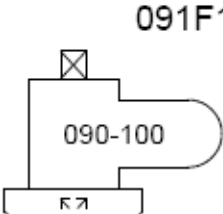
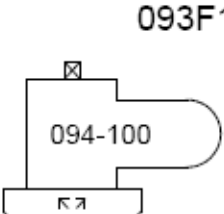
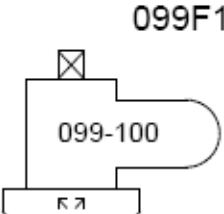
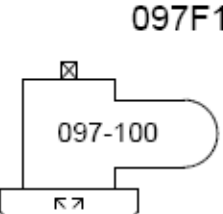
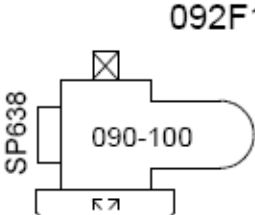
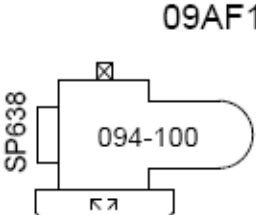
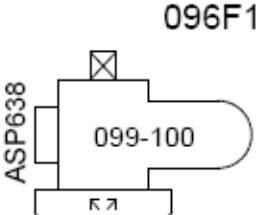
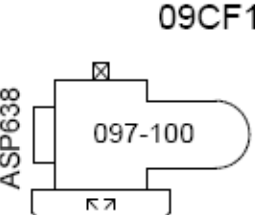
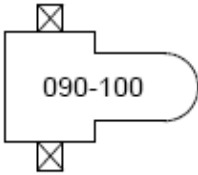
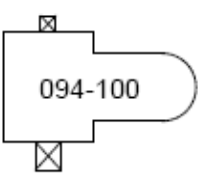
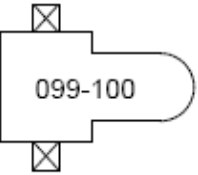
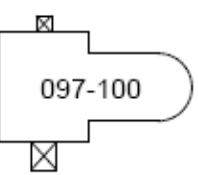
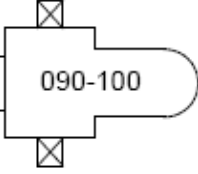
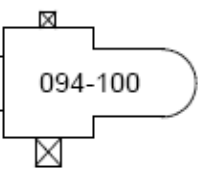
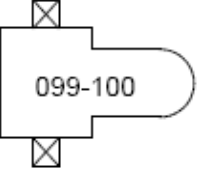
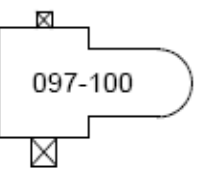
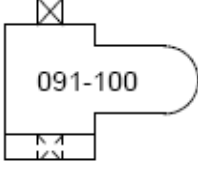
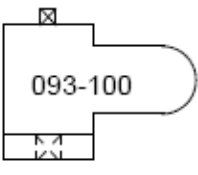
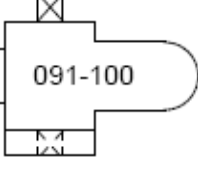
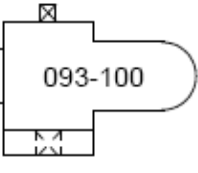
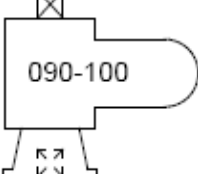
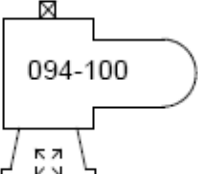
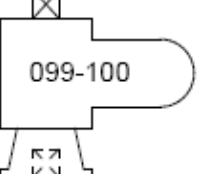
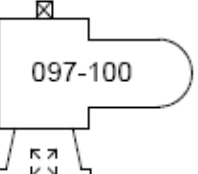
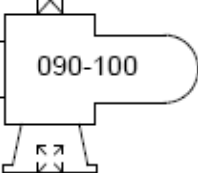
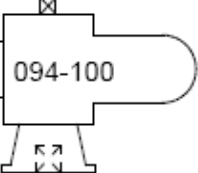
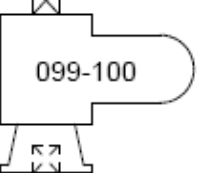
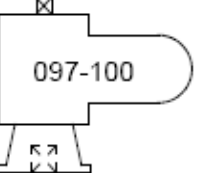


ACTUATOR AND SPRING OPTION CHART

 <p style="text-align: center;">090-120</p>	 <p style="text-align: center;">094-120</p>	 <p style="text-align: center;">099-120</p>	 <p style="text-align: center;">097-120</p>
 <p style="text-align: center;">095-120</p>	 <p style="text-align: center;">09B-120</p>	 <p style="text-align: center;">096-120</p>	 <p style="text-align: center;">09C-120</p>
 <p style="text-align: center;">091-120</p>	 <p style="text-align: center;">093-120</p>	<p>SPRING RETURN ACTUATOR CODING FOR MODEL 09.</p> <p>OTHER MODEL SIZES USE SAME CODING ARRANGEMENT REPLACING THE '09' WITH REQUIRED MODEL SIZE.</p> <p>NOTE: NOT ALL SPRING RETURN MODELS ARE AVAILABLE IN ALL COMBINATIONS</p>	
 <p style="text-align: center;">092-120</p>	 <p style="text-align: center;">09A-120</p>		
 <p style="text-align: center;">091F120</p>	 <p style="text-align: center;">093F120</p>	 <p style="text-align: center;">099F120</p>	 <p style="text-align: center;">097F120</p>
 <p style="text-align: center;">092F120</p>	 <p style="text-align: center;">09AF120</p>	 <p style="text-align: center;">096F120</p>	 <p style="text-align: center;">09CF120</p>

ACTUATOR AND SPRING OPTION CHART

<p>090-100</p> 	<p>094-100</p> 	<p>099-100</p> 	<p>097-100</p> 
<p>095-100</p> <p>SP638</p> 	<p>09B-100</p> <p>SP638</p> 	<p>096-100</p> <p>ASP638</p> 	<p>09C-100</p> <p>ASP638</p> 
<p>091-100</p> 	<p>093-100</p> 	<p>ACTUATOR CODING FOR MODEL 09.</p> <p>OTHER MODEL SIZES USE SAME CODING ARRANGEMENT REPLACING THE '09' WITH REQUIRED MODEL SIZE.</p> <p>NOTE: NOT ALL ACTUATOR MODELS ARE AVAILABLE IN ALL COMBINATIONS</p>	
<p>092-100</p> <p>SP638</p> 	<p>09A-100</p> <p>SP638</p> 		
<p>091F100</p>  <p>SP1452</p>	<p>093F100</p>  <p>SP1452</p>	<p>099F100</p>  <p>ASP1452</p>	<p>097F100</p>  <p>ASP1452</p>
<p>092F100</p> <p>SP638</p>  <p>SP1452</p>	<p>09AF100</p> <p>SP638</p>  <p>SP1452</p>	<p>096F100</p> <p>ASP638</p>  <p>ASP1452</p>	<p>09CF100</p> <p>ASP638</p>  <p>ASP1452</p>