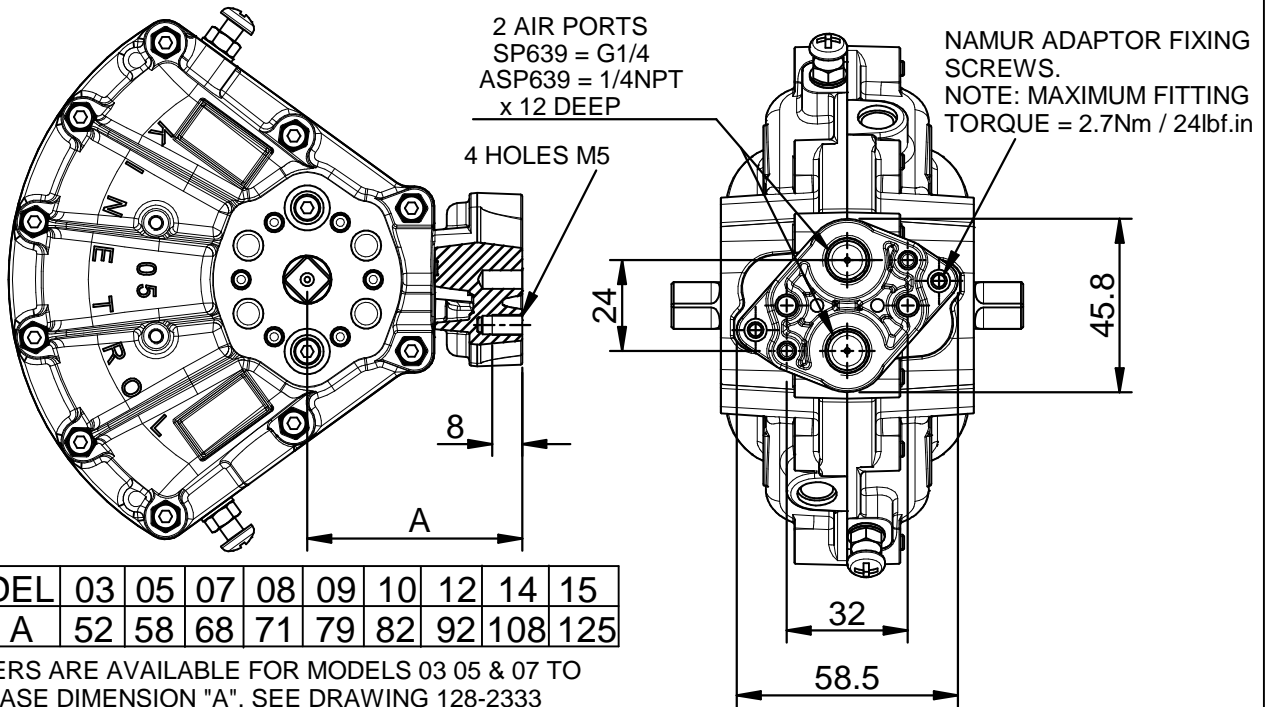


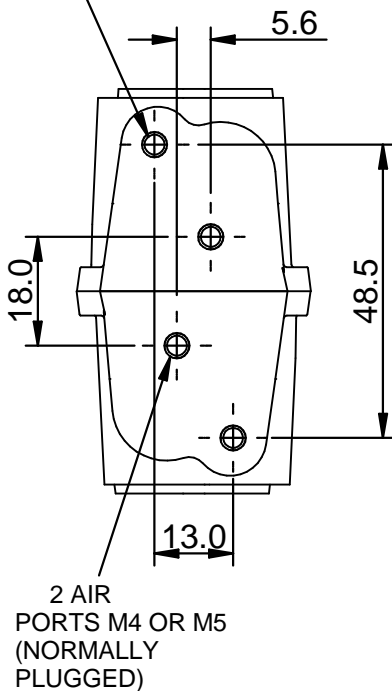
DETAILS OF NAMUR ADAPTOR (SP 639 & ASP639) FOR KINETROL 03 TO 15 ACTUATORS



INSTALLATION INSTRUCTIONS

FIRSTLY, FIT PRESSURE PLUGS TO NORMAL ACTUATOR SIDE PORTS

2 M4 x 6 DEEP
NAMUR ADAPTOR
MOUNTING HOLES

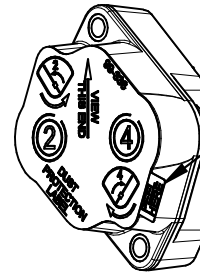


(NOTE: REMOVE AIR
PORT PLUG
SCREWS)

NO SILASTIC
REQUIRED WITH
THIS BLOCK

2 O-RINGS (USE GREASE
TO RETAIN DURING ASSY)

2 M4 X 20 SHC SCREWS (CHEMICALLY LOCK WITH
LOCTITE 222 OR EQUIVALENT)
NOTE: TIGHTEN TO 2.7Nm / 24lbf.in MAXIMUM.



REMOVE DUST
PROTECTION
LABEL BEFORE
CONNECTING
PORTS

PORT IDENTIFICATION
ACCORDING TO
ISO 5599-2:2001

ISSUE
H

T.L.
22.01.21

KINETROL

Trading Estate Farnham Surrey England

SHEET No.
TD123