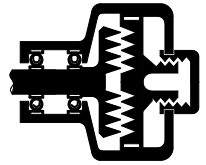


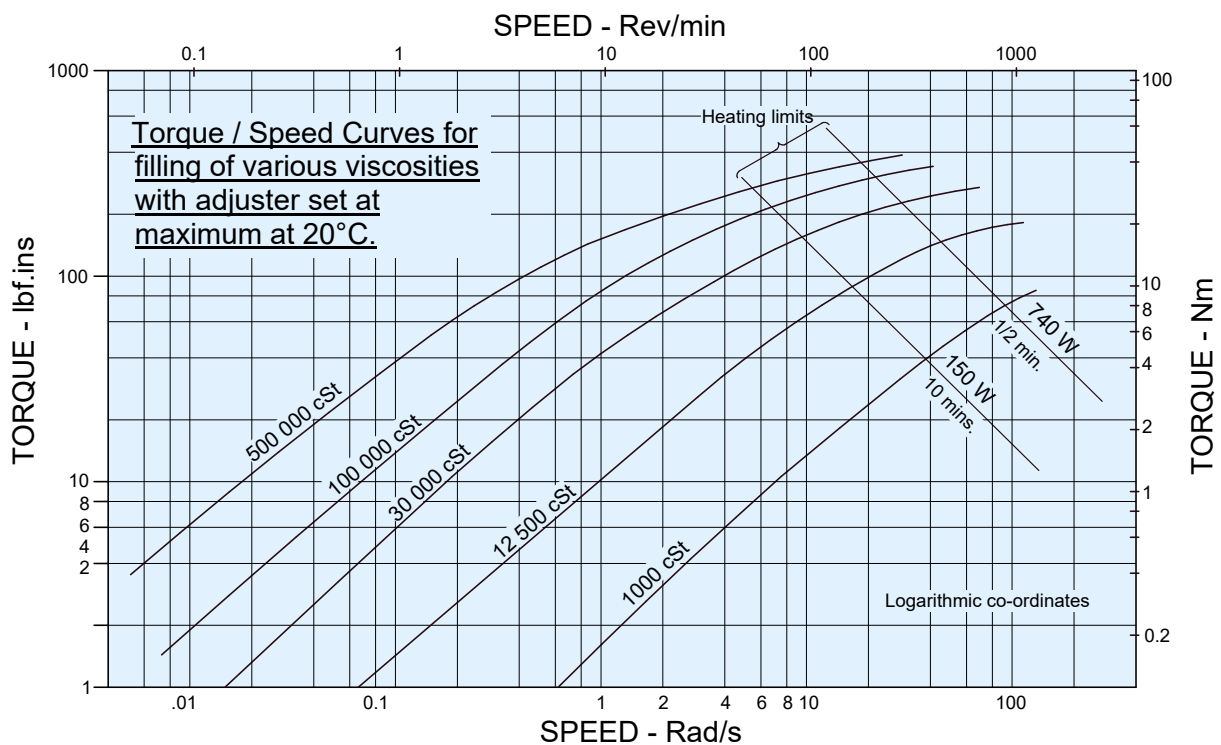
Kinetrol Model T-CRD CR Dashpot



Rates

Adjustable - see curves ($\pm 10\%$)

Adjustment allows the rate to be varied down to $\frac{1}{4}$ of the maximum values, for any speed of rotation.



Viscosities Available

1,000; 12,500; 30,000; 100,000; 500,000 cSt.

Specification of fluid viscosity provides torque/speed characteristics shown by the curves above.

Ordering Codes

T – CRD – (Filling Viscosity)

Example:

T – CRD – 100,000 has a 100,000 cSt filling.

Kinetrol Model T-CRD CR Dashpot

Specification

Max. safe torque
45 Nm / 398 lbf.ins

Max. shaft side load
183 N / 41 lbf

Ambient temperature range
0°C to 60°C (32°F to 140°F)

Frictional torque
0.056 Nm / 0.5 lbf.ins typical

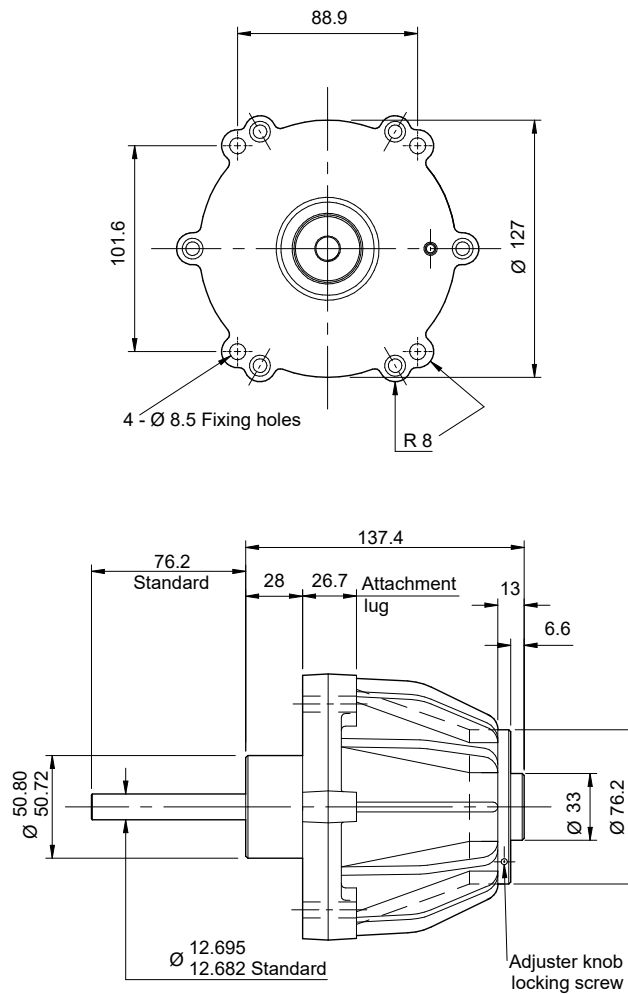
Shaft material
High tensile steel 605M36(T)

Body material
Cast Aluminium LM 4M

Weight
2.39 kg / 5.27 lbs

Dimensions

Dimensions in mm.



The adjuster knob, although marked for reference, is not normally calibrated.

Fixed rate version available - contact Kinetrol