

Kinetrol Model LE 220° Vane Dashpot



Rates

An adjuster permits any damping rate to be obtained within one of the following ranges. The range must be specified when ordering the dashpot.

- **LE1:** 50 to 350 Nm/rad/s / 443 to 3100 lbf.ins/rad/s
- **LE2:** 100 to 700 Nm/rad/s / 885 to 6200 lbf.ins/rad/s
- **LE3:** 200 to 1500 Nm/rad/s / 1770 to 13275 lbf.ins/rad/s
- **LE4:** 400 to 3000 Nm/rad/s / 3540 to 26550 lbf.ins/rad/s
- **LE5:** 800 to 6000 Nm/rad/s / 7080 to 53100 lbf.ins/rad/s
- **LE6:** 1600 to 12000 Nm/rad/s / 14160 to 106200 lbf.ins/rad/s

With adjuster set to maximum the rate may exceed stated maximum and with adjuster set to minimum the rate may be less than stated minimum.

Options

The following features may be specified for any model:

Differential Rate (FC or FAC)

Gives a large resistance in one direction only and less than 1/10 resistance in the other. Specify free clockwise or free anticlockwise when viewed from shaft end.

Double Damping (DD)

Gives equal resistance in either direction.

Couplings

Steel couplings are available as an option.

Ordering Codes

LE1, 2, 3, 4, 5 or 6 – DD
LE1, 2, 3, 4, 5 or 6 – FC or FAC

Specification

Max. safe torque

545 Nm / 4820 lbf.ins
Continuous power dissipation not to exceed 200W at 20°C (68°F)

Angle of travel

220° ± 1°
External end stops must be provided

Max. shaft end load

1000 N / 224 lbf pushing on shaft
80 N / 18 lbf pulling on shaft

Max. shaft side load

1500 N / 340 lbf

Ambient temperature range

0°C to 60°C (32°F to 140°F)

Frictional torque

3 Nm / 27 lbf.ins typical

Shaft material

Stainless steel 431S29

Body material

Aluminium alloy LM25

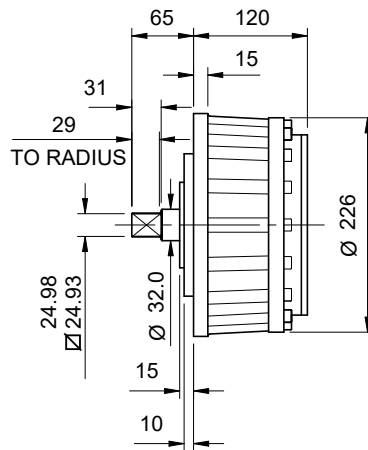
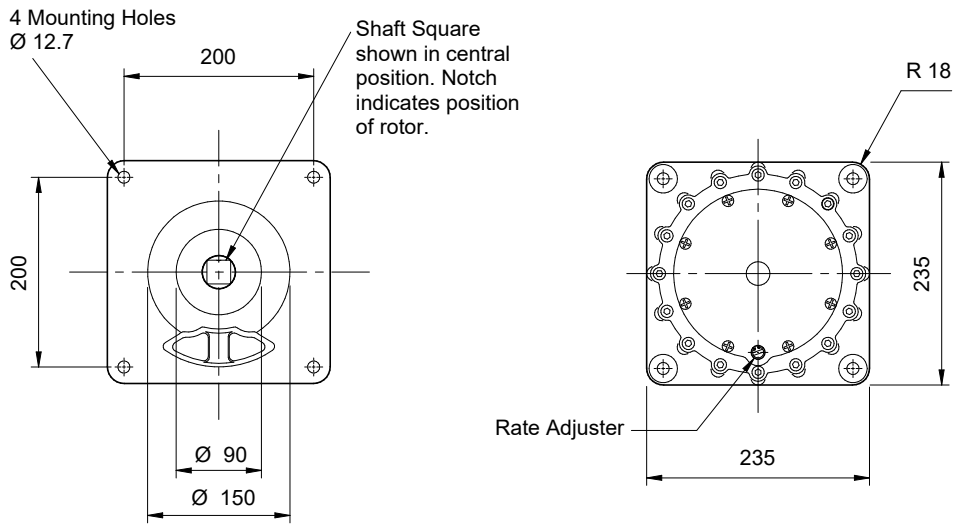
Weight

12 kg / 26 lbs

Kinetrol Model LE 220° Vane Dashpot

Dimensions

Dimensions in mm



STANDARD COUPLING

