

# Kinetrol Model LB 240° Vane Dashpot



## Rates

An adjuster permits any damping rate to be obtained within one of the following ranges. The range must be specified when ordering the dashpot.

- **LB1:** 4 to 40 Nm/rad/s / 35 to 350 lbf.ins/rad/s
- **LB2:** 8 to 80 Nm/rad/s / 71 to 710 lbf.ins/rad/s
- **LB3:** 17 to 170 Nm/rad/s / 150 to 1500 lbf.ins/rad/s
- **LB4:** 40 to 400 Nm/rad/s / 350 to 3500 lbf.ins/rad/s

With adjuster set to maximum the rate may exceed stated maximum and with adjuster set to minimum the rate may be less than stated minimum.

## Options

The following features may be specified for any model:

### Differential Rate (FC or FAC)

Gives a large resistance in one direction only and less than 1/10 resistance in the other. Specify free clockwise or free anticlockwise when viewed from shaft end.

### Double Damping (DD)

Gives equal resistance in either direction.

### Couplings

Steel couplings are available as an option.

## Ordering Codes

LB1, 2, 3 or 4 – DD  
LB1, 2, 3 or 4 – FC or FAC

## Specification

### Max. safe torque

160 Nm / 1400 lbf.ins

Continuous power dissipation not to exceed 80W at 20°C (68°F) ambient

### Angle of travel

240° ± 5°

External end stops must be provided

### Max. shaft end load

22 N / 5 lbf

### Max. shaft side load

890 N / 200 lbf

### Ambient temperature range

0°C to 60°C (32°F to 140°F)

### Frictional torque

0.5 Nm / 5 lbf.ins typical

### Shaft material

Stainless steel 441S49

### Body material

Zinc alloy Ilzro 16

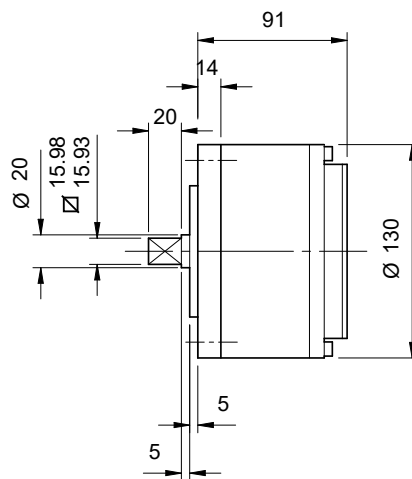
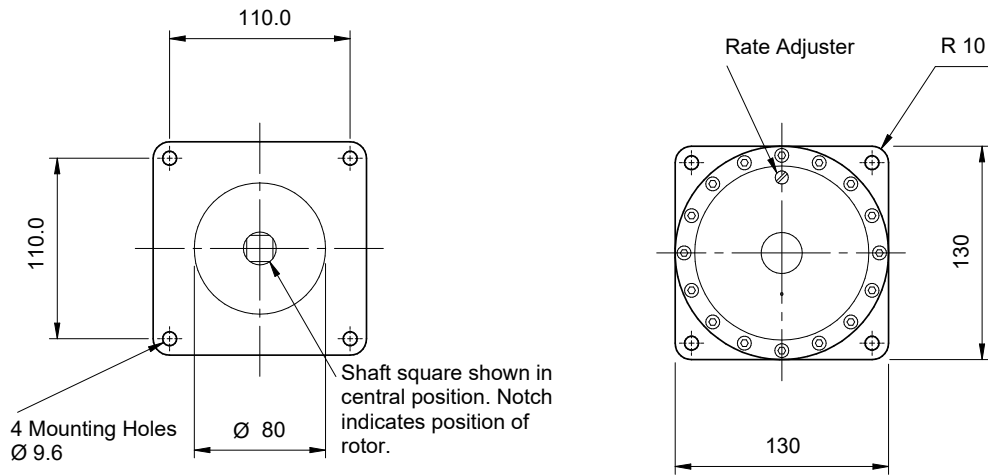
### Weight

6.14 kg / 13.5 lbs

# Kinetrol Model LB 240° Vane Dashpot

## Dimensions

Dimensions in mm



### OPTIONAL COUPLING

