

Kinetrol Model 21 Double Acting Actuator

Specification

Angle of Travel (adjustable)

80° - 100°

(restricted travel versions available)

Displaced Volume

31386 cm³ / 1915 in³

Materials of Construction

Casing: Sand cast aluminium alloy

Vane & Output Shaft: SG iron, zinc plated

Shaft bushes: PTFE coated bronze (lead free)

Seals: Moulded polyurethane

Seal expanders: Stainless spring steel

Finish

Epoxy stove enamel

Weight

177.0 kg / 390 lb (excluding coupling)

Operating Temperature

-40°C to +80°C (-40°F to +176°F)



ATEX Category 2

Double Acting Torques

Metric Units - Nm

Actuator Model	Pressure (bar)											
	1.5	2.0	2.5	3.0	3.5	4.0	4.5	5.0	5.5	6.0	6.5	7.0
21-100	2624	3623	4544	5568	6516	7553	8521	9523	10553	11561	12543	13589

English Units - lbf ins

Actuator Model	Pressure (psi)									
	20	30	40	50	60	70	80	90	100	
21-100	22286	33234	44962	57078	68930	81223	93402	105784	118503	

Options

- Fail safe spring return units
 - clockwise or counter clockwise
- Limit switch boxes for open/closed indication
 - various switches including hazardous area
- AP pneumatic positioner - full range of options
- EL electropneumatic positioner - full range of options
- Female drive and mounting details to DIN 3337 and ISO 5211
- Geared manual override
- G3 Damper Drive
- High temperature / Low temperature options

Kinetrol Model 21 Double Acting Actuator

Product Code

Air Ports

Mount Holes

214-100

G1

8 x M30 x 50 deep on 226.3 PCD
4 x M5 x 8 deep

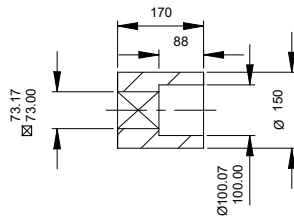
217-100

1 NPT

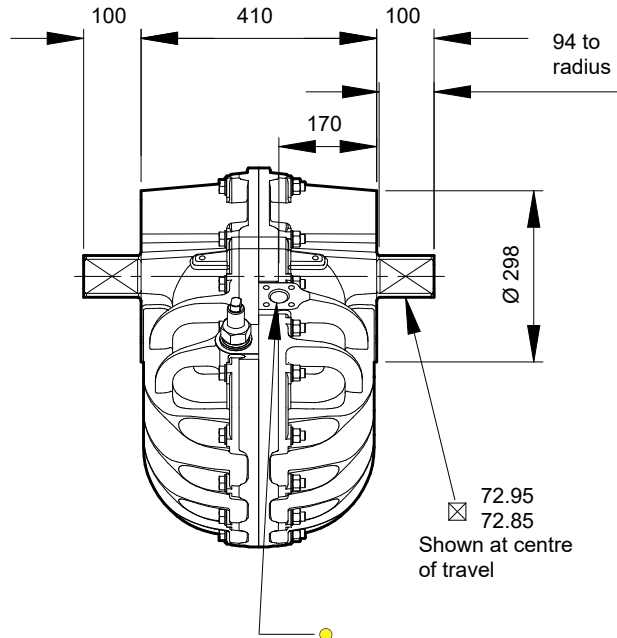
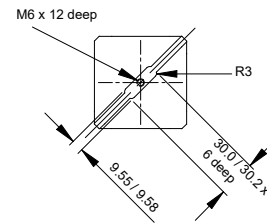
8 x 1 1/8-7 UNC x 2.00" deep on 8.91" PCD
4 x 10-24 UNC x 0.31" deep

Dimensions

Standard Coupling
(supplied with actuator
weight 15.4 kg / 34 lbs)



Vane Slot detail both ends



Slot both ends
details above

2 Dowel Holes
Ø10 x 12 deep

