

Kinetrol Fire Fail-Safe Spring Units

To open or close a valve or damper automatically in case of a fire this device allows the valve to operate using a fusible link mechanism designed to yield at a set temperature.



ATEX Up to Category 2

- Reliable torque delivery for valve reseal
- Available for Models 05, 07, 09 and 12 (maximum torque 226 Nm 2300 lbf ins)
- Two Yield Temperature Options
- Clockwise or counter clockwise 90° spring action
- ISO5211 female drive options available
- Spring housing sealed to IP65 to protect from internal corrosion
- ATEX Category 2 approved options available

Specification

Spring Case 05, 07, 09 & 12	Die cast aluminium alloy, epoxy paint finish
Output Shaft	Stainless steel or carbon steel zinc plated
Clock Type Spring	Stainless spring steel
Lever	Stainless Steel

Yield Temperatures

Fire fail-safe fusible links
Solder type (UL approved)

Yield temperature options	74°C	100°C
Max. normal ambient temperature	38°C	66°C

Direction of Spring Action

Manual fail safe spring units are available for either clockwise or counter clockwise spring action and the direction of the unit is determined by looking from above with the mounting interface on the bottom.

Suffix - 020 = clockwise
Suffix - 030 = counter clockwise

Ordering Codes

To order a fire fail-safe spring unit, quote model number, direction of spring followed by product type code:

-0074 Fire fail-safe spring unit 74°C
 -0100 Fire fail-safe spring unit 100°C
 -1074 ATEX fire fail-safe spring unit 74°C
 -1100 ATEX fire fail-safe spring unit 100°C
 (example: 054-020-0074)

For reduced torque versions contact Kinetrol

ISO/Female Drive Versions

The 05, 07, 09 and 12 models are available with female drives for direct mount. The model 05 has F03/F05/F07 or F04 mounting flanges. The model 07 has F05/F07 flanges, the model 09 has F07/F10 flanges and the model 12 has F10 flanges.

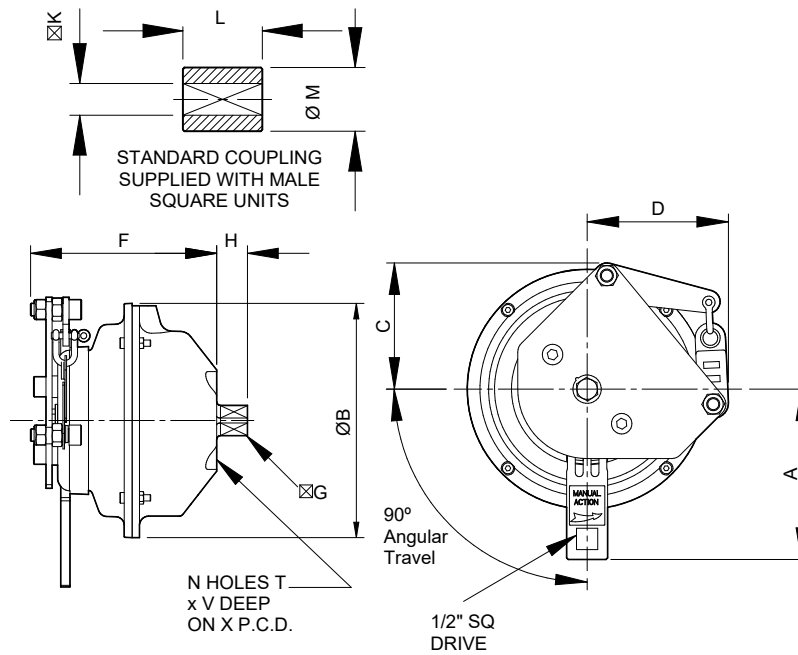
To order female drive versions, replace the '0-' in the product code with '3F'. For example a model 05 ISO female drive fire fail-safe unit with F03/F05/F07 flanges is coded: 053F020-0074. The F04 flange version is coded 053F020-0074/F4.

The same version but with ANSI threads is coded: 057F020-0074/F4.

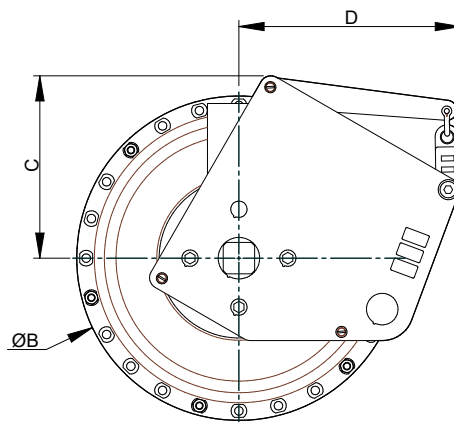
Kinetrol Fire Fail-Safe Spring Units

Dimensions

Model 05 & 07



Model 09 & 12



Shown in energised position

Metric Units

	A	B	C	D	F	G	H †	K	L	M	N	T	V	X	Maximum Torque Nm
	mm	mm	mm	mm	mm	mm	mm	mm	mm	mm	mm	mm	mm	mm	
054-020-0074	108	118	80	90	88	9.525 9.470	13.0	9.58 9.55	25.4	19.0	6	M5	13.0	34.9	24.0
074-020-0074	108	152	80	90	121	15.98 15.93	20.0	16.027 16.000	40.0	32.0	4	M8	15.0	50.8	45.5
094-020-0074	-	200	108	130	144	18.98 18.93	26.0	19.033 19.000	50.0	38.0	4	M10	20.0	65	95.0
124-020-0074	-	258	145	176	209	25.00 24.90	31.0	25.06 25.00	56.0	50.0	4	M12	24.0	77.8	205.0

Weights – Metric

- 05 Models – 2.70 kg
- 07 Models – 4.30 kg
- 09 Models – 9.20 kg
- 12 Models – 22.50 kg

English Units

	A	B	C	D	F	G	H †	K	L	M	N	T	V	X	Maximum Torque lbf.ins
	inch	inch	inch	inch	inch	inch	inch	inch	inch	inch	inch	inch	inch	inch	
057-020-0074	4.25	4.64	3.15	3.54	3.47	0.375 0.373	0.51	0.377 0.376	1.00	0.75	6	10-24	0.510	1.37	212
077-020-0074	4.25	5.98	3.15	3.54	4.76	0.629 0.627	0.79	0.631 0.630	1.57	1.26	4	5/16-18	0.625	2.00	400
097-020-0074	-	7.87	4.25	5.12	5.67	0.747 0.745	1.02	0.749 0.748	1.97	1.50	4	3/8	0.787	2.56	841
127-020-0074	-	10.16	5.71	6.93	8.23	0.984 0.980	1.22	0.986 0.984	2.20	1.97	4	1/2	0.944	3.06	1814

Weights – English

- 05 Models – 5.95 lb
- 07 Models – 9.48 lb
- 09 Models – 20.28 lb
- 12 Models – 49.60 lb