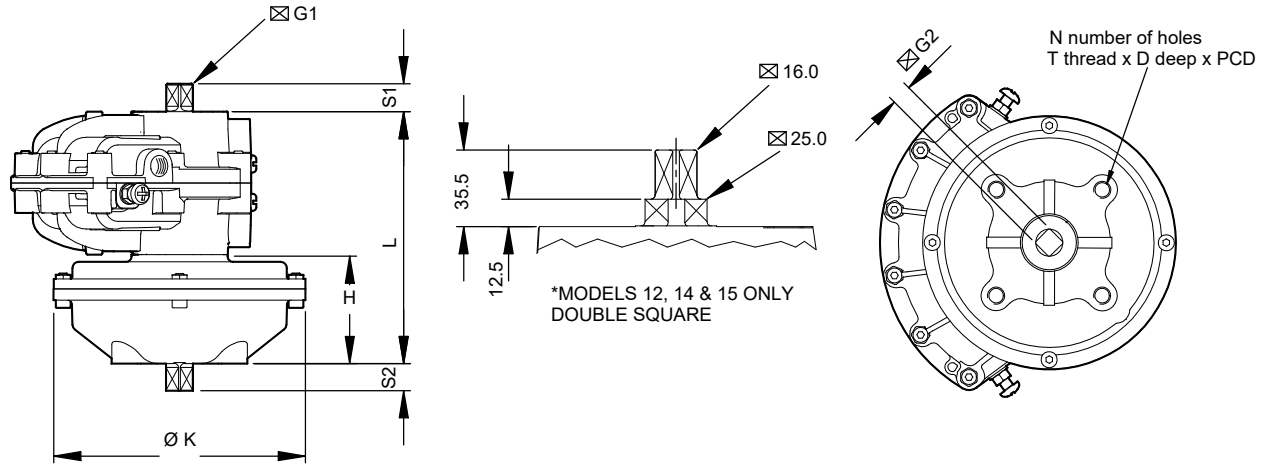


Kinetrol Spring Return Actuator Dimensions

Male Spring Return Actuator Dimensions



Metric Units

Actuator** Model	L mm	H mm	ØK mm	⊠G1 mm	⊠G2 mm	S1 mm	S2 mm	N No.	T ISO	D mm	PCD mm	Wt kg †
024-120	90	40	73	8.0	8.0	10	10	4	M4	8.0	25.5	0.93
034-120	103	43	108	9.0	9.0	12	12	4	M5	10.0	31.1	2.03
054-120	118	50	118	9.5	9.5	13	13	6	M5	10.0	34.9	1.96
074-120	182	82	152	16.0	16.0	20	20	4	M8	16.0	50.9	4.71
084-120	197	87	174	16.0	17.0	20	19	4	M8	16.0	70.0	7.62
094-120	218	92	200	16.0	19.0	20	26	4	M10	20.0	65.0	11.06
104-120	285	110	206	16.0	22.0	20	26	4	M10	16.0	102.0	14.80
124-120	292	136	258	16.0*	25.0	36	31	4	M12	24.0	77.8	23.50
144-120-4900	417	217	258	16.0*	28.6	36	38	4	M16	28.5	98.8	43.10
144-120	387	187	396	16.0*	28.6	36	38	4	M16	28.5	98.8/140.0	64.10
144-120-5000	337	137	258	16.0*	28.6	36	38	4	M16	28.5	98.8	38.18
154-120	432	187	396	16.0*	36.0	36	41	4	M16	28.5	140.0	77.00
164-120-6100	461	187	396	41.0	41.0	55	55	4	M24	28.0	152.7	88.10
164-120	486	212	524	41.0	41.0	55	55	4	M24	38.0	152.7	140.0
184-120-7000	572	212	524	57.0	57.0	78	78	4	M30	50.0	226.3	161.0
184-120	602	242	634	57.0	57.0	78	78	4	M30	50.0	226.3	278.0
214-120-8000	652	242	634	73.0	73.0	100	100	8	M30	50.0	226.3	368.0
214-120-7300	822	412	524	73.0	73.0	100	100	8	M30	50.0	226.3	386.0
214-120	772	362	634	73.0	73.0	100	100	8	M30	50.0	226.3	516.0
304-120-7600	1293	412	524	73.0	73.0	100	100	8	M30	50.0	226.3	524.0
304-120-8300	1243	358	634	73.0	73.0	100	100	8	M30	50.0	226.3	630.4
304-120-7800	1493	612	524	73.0	73.0	100	100	8	M30	50.0	226.3	688.0
304-120	1354	483	634	73.0	73.0	100	100	8	M30	50.0	226.3	768.4
600-120-8400***	1194	604	634	***	***	***	***	***	***	***	***	1125.0
600-120-8500***	1315	725	634	***	***	***	***	***	***	***	***	1272.0
600-120***	1436	846	634	***	***	***	***	***	***	***	***	1420.0

*** Springs mounted above actuator - see Kinetrol Model 60 Double Acting Actuator data sheet

† All weights include coupling - except 103

English Units

Actuator** Model	L inch	H inch	ØK inch	⊠G1 inch	⊠G2 inch	S1 inch	S2 inch	N No.	T UNC	D inch	PCD inch	Wt lb †
027-120	3.54	1.58	2.87	0.315	0.315	0.39	0.39	4	8-32	0.31	1.00	2.05
037-120	4.06	1.69	4.21	0.354	0.354	0.47	0.47	4	10-24	0.39	1.225	4.48
057-120	4.65	1.97	4.65	0.375	0.375	0.51	0.51	6	10-24	0.39	1.375	4.32
077-120	7.17	3.23	6.00	0.630	0.630	0.79	0.79	4	5/16-18	0.63	2.00	10.38
087-120	7.76	3.43	6.85	0.630	0.669	0.79	0.75	4	5/16-18	0.63	2.76	16.80
097-120	8.58	3.62	7.90	0.630	0.748	0.79	1.02	4	3/8-16	0.79	2.56	24.38
107-120	11.22	4.33	8.11	0.630	0.866	0.79	1.02	4	3/8-16	0.63	4.02	32.63
127-120	11.50	5.35	10.16	0.630*	0.984	1.40	1.22	4	1/2-13	0.94	3.06	51.81
147-120-4900	16.43	8.54	10.16	0.630*	1.125	1.40	1.50	4	5/8-11	1.12	3.89	95.02
147-120	15.24	7.36	15.59	0.630*	1.125	1.40	1.50	4	5/8-11	1.13	5.51	141.32
147-120-5000	13.27	5.40	10.16	0.630*	1.125	1.40	1.50	4	5/8-11	1.13	3.89	84.19
157-120	17.00	7.36	15.59	0.630*	1.417	1.40	1.61	4	5/8-11	1.13	5.51	170.0
167-120-6100	18.15	7.36	15.59	1.614	1.614	2.17	2.17	4	7/8-9	1.10	6.01	194.2
167-120	19.11	8.33	20.63	1.614	1.614	2.17	2.17	4	7/8-9	1.50	6.01	308.0
187-120-7000	22.50	8.33	20.63	2.244	2.244	3.07	3.07	4	1 1/8-7	1.97	8.91	356.0
187-120	23.69	9.52	24.96	2.244	2.244	3.07	3.07	4	1 1/8-7	1.97	8.91	612.9
217-120-8000	25.67	9.53	24.96	2.874	2.874	3.94	3.94	8	1 1/8-7	1.97	8.91	811.3
217-120-7300	32.36	16.22	20.63	2.874	2.874	3.94	3.94	8	1 1/8-7	1.97	8.91	851.0
217-120	30.39	14.25	24.96	2.874	2.874	3.94	3.94	8	1 1/8-7	1.97	8.91	1137.6
307-120-7600	50.91	16.20	20.63	2.874	2.874	3.94	3.94	8	1 1/8-7	1.97	8.91	1158.0
307-120-8300	48.93	14.13	24.96	2.874	2.874	3.94	3.94	8	1 1/8-7	1.97	8.91	1389.8
307-120-7800	58.78	24.07	20.63	2.874	2.874	3.94	3.94	8	1 1/8-7	1.97	8.91	1520.0
307-120	53.68	19.02	24.96	2.874	2.874	3.94	3.94	8	1 1/8-7	1.97	8.91	1694.0
609-120-8400***	47.01	23.78	24.96	***	***	***	***	***	***	***	***	2480.0
609-120-8500***	51.77	28.54	24.96	***	***	***	***	***	***	***	***	2804.0
609-120***	56.54	33.31	24.96	***	***	***	***	***	***	***	***	3131.0

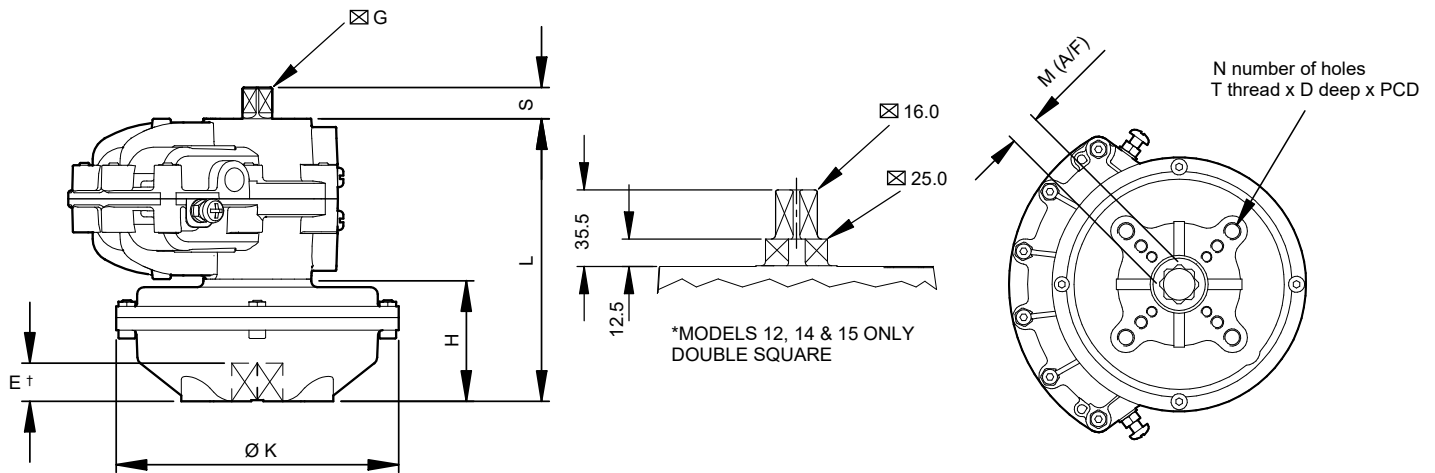
*** Springs mounted above actuator - see Kinetrol Model 60 Double Acting Actuator data sheet

† All weights include coupling - except 107

Spring dimensions are identical for counter-clockwise models

Kinetrol Spring Return Actuator Dimensions

ISO Flange Female Spring Return Actuator Dimensions



Metric Units

Actuator** Model	ISO Flange No.	L mm	H mm	ØK mm	M mm	S mm	⊠G mm	E † mm	N No.	T ISO	D mm	PCD mm
033F120	F03/F05	103	43	108	11	12	9.0	12	4	M5/M6	8/10	36/50
033F180	F04	103	43	108	11	12	9.0	12	4	M5	10	42
053F120	F03/F05/F07	118	50	119	14	13	9.5	16	4	M5/M6/M8	10/12/13	36/50/70
053F180	F04	118	50	119	14	13	9.5	16	4	M5	10	42
073F120-4000	F03/F05/F07	150	50	118	14	20	16.0	16	4	M5/M6/M8	10/12/13	36/50/70
073F120	F05/F07	182	82	152	17	20	16.0	19	4	M6/M8	10/13	50/70
083F120	F07	197	87	174	17	20	16.0	19	4	M8	16	70
093F120-4200	F05/F07	208	82	152	17	20	16.0	19	4	M6/M8	10/13	50/70
093F120	F07/F10	218	92	200	22	20	16.0	24	4	M8/M10	13/16	70/102
103F120-5800	F07/F10	268	92	200	22	20	16.0	24	4	M8/M10	13/16	70/102
103F120	F10	285	110	206	22	20	16.0	24	4	M10	16	102
123F120-4300	F10	248	92	200	22	35.5	16.0*	25	4	M10	16	102
123F120	F10	292	136	258	22	35.5	16.0*	25	4	M10	16	102
123F180	F12	292	136	258	27	35.5	16.0*	29	4	M12	20	125
143F120-4900	F12	417	217	258	27	35.5	16.0*	29	4	M12	20	125
143F120-5000	F12	337	136	258	27	35.5	16.0*	29	4	M12	20	125
143F120	F12	387	187	396	27	35.5	16.0*	29	4	M12	24	125
153F120***	F14	432	187	396	36	35.5	16.0*	38	4	M16	28	140
163F120***	F14	486	212	524	36	55	41.0	38	4	M16	24	140
183F120-7000***	F16	572	212	524	46	78	57.0	48	4	M20	30	165
183F120***	F16	602	242	634	46	78	57.0	48	4	M20	30	165
213F120-8000***	F25	652	238	634	55	100	73.0	57	8	M16	24	254
213F120-7300***	F25	822	412	524	55	100	73.0	57	8	M16	24	254
213F120***	F25	772	359	634	55	100	73.0	57	8	M16	24	254

English Units

Actuator** Model	ISO Flange No.	L inch	H inch	ØK inch	M inch	S inch	⊠G inch	E † inch	N No.	T UNC	D inch	PCD inch
037F120	F03/F05	4.06	1.69	4.21	0.433	0.47	0.354	0.47	4	10-24 1/4	0.31/0.39	1.41/1.97
037F180	F04	4.06	1.69	4.21	0.433	0.47	0.354	0.47	4	10-24	0.39	1.65
057F120	F03/F05/F07	4.65	1.97	4.69	0.551	0.51	0.374	0.63	4	10-24 1/4 5/16	0.39/0.47/0.51	1.42/1.97/2.76
057F180	F04	4.65	1.97	4.69	0.551	0.51	0.374	0.63	4	10-24	0.39	1.65
077F120-4000	F03/F05/F07	5.91	1.97	4.65	0.551	0.79	0.630	0.63	4	10-24 1/4 5/16	0.39/0.47/0.51	1.42/1.97/2.76
077F120	F05/F07	7.17	3.23	5.98	0.669	0.79	0.630	0.75	4	1/4 5/16	0.39/0.51	1.97/2.76
087F120	F07	7.76	3.43	6.85	0.669	0.79	0.630	0.75	4	5/16	0.63	2.76
097F120-4200	F05/F07	8.19	3.23	5.98	0.669	0.79	0.630	0.75	4	1/4 5/16	0.39/0.51	1.97/2.76
097F120	F07/F10	8.58	3.62	7.87	0.866	0.79	0.630	0.94	4	5/16 3/8	0.51/0.63	2.76/4.01
107F120-5800	F07/F10	10.55	3.62	7.87	0.866	0.79	0.630	0.94	4	5/16 3/8	0.51/0.63	2.76/4.01
107F120	F10	11.22	4.33	8.11	0.866	0.79	0.630	0.94	4	3/8	0.63	4.02
127F120-4300	F10	9.76	3.62	7.87	0.866	1.40	0.630*	0.94	4	3/8	0.63	4.02
127F120	F10	11.50	5.35	10.16	0.866	1.40	0.630*	0.98	4	3/8	0.63	4.02
127F180	F12	11.50	5.35	10.16	1.063	1.40	0.630*	0.98	4	1/2	0.79	4.92
147F120-4900	F12	16.42	8.54	10.16	1.063	1.40	0.630*	1.14	4	1/2	0.79	4.92
147F120-5000	F12	13.27	5.35	10.16	1.063	1.40	0.630*	1.14	4	1/2	0.79	4.92
147F120	F12	15.24	7.36	15.59	1.063	1.40	0.630*	1.14	4	1/2	0.94	4.92
157F120***	F14	17.00	7.36	15.59	1.420	1.40	0.630*	1.50	4	5/8	1.10	5.51
167F120***	F14	19.13	8.35	20.63	1.417	2.17	1.614	1.50	4	5/8	0.94	5.51
187F120-7000***	F16	22.52	8.35	20.63	1.811	3.07	2.244	1.89	4	3/4	1.18	6.50
187F120***	F16	23.69	9.52	24.96	1.811	3.07	2.244	1.89	4	3/4	1.18	6.50
217F120-8000***	F25	25.67	9.37	24.96	2.165	3.94	2.874	2.24	8	5/8	0.94	10.00
217F120-7300***	F25	32.36	16.22	20.63	2.165	3.94	2.874	2.24	8	5/8	0.94	10.00
217F120***	F25	25.67	14.13	24.96	2.165	3.94	2.874	2.24	8	5/8	0.94	10.00

† Minimum

Spring dimensions are identical for counter-clockwise models