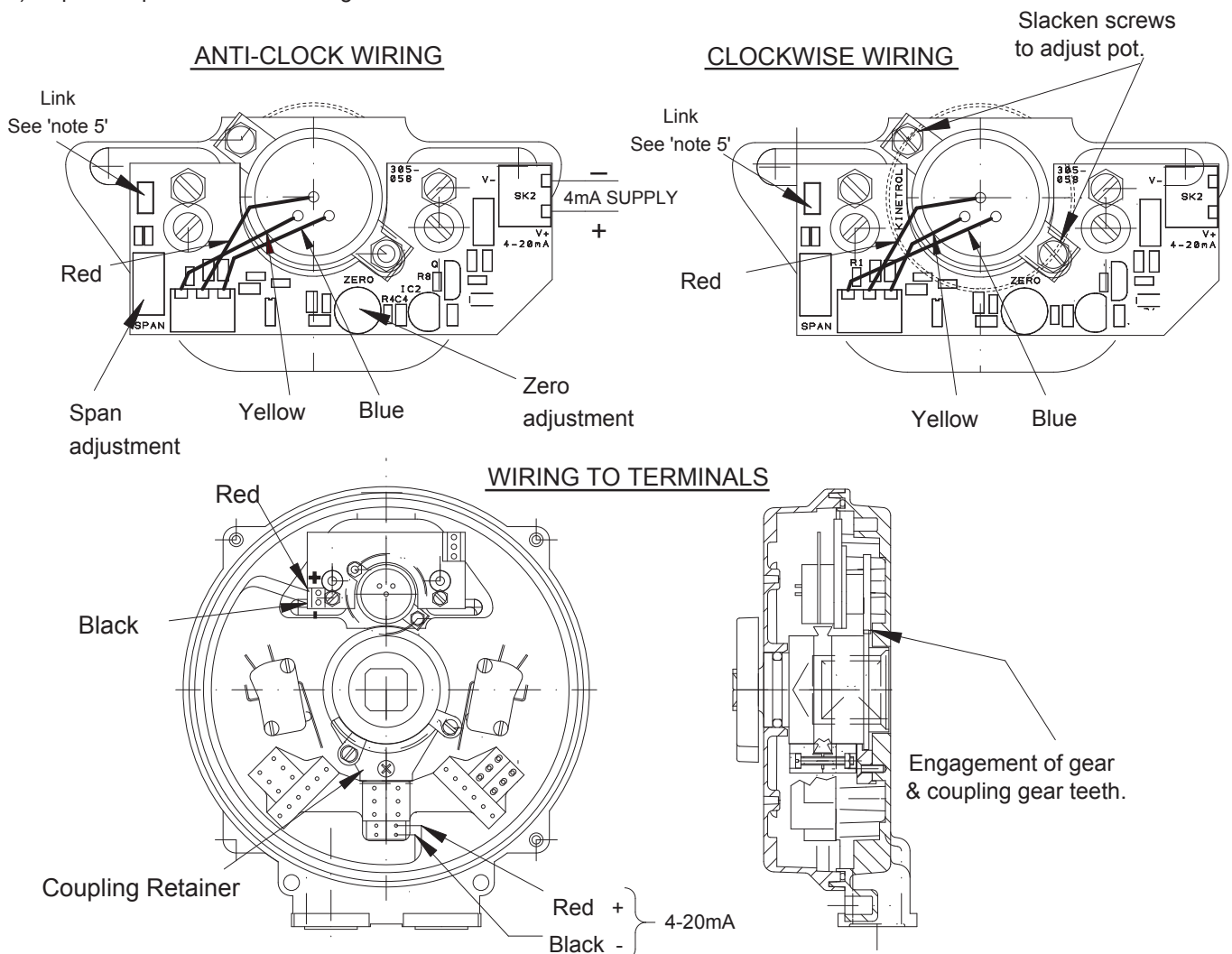


Installation, Operation & Maintenance Instructions

Universal Limit Switch Angle Retrasmits

Suitable for direct mount Kinetrol Actuators size range 03 - 14 & discrete ULS except those fitted with an Asi Bus

- 1) The angle retransmit is an integrated assembly comprising circuit, feedback pot and drive gear that fits inside a standard box. A loop powered 2 wire surface mount circuit passes a 4-20 mA current proportional to the 0-90° position of the actuator, powered by a 14-30V DC supply. A high quality servo-pot with ball bearings (20K Ω) with anti-backlash spring provide long life and high precision. The circuit has zero and span adjustments for easy ranging.
- 2) To fit, remove coupling retainer and then remove coupling. Fit coupling with the gear teeth around base and then refit coupling retainer.
- 3) Mount the circuit/pot/plate assembly onto bosses in box, ensuring gear is engaged with coupling gear teeth.
- 4) Check red, yellow and blue wires between pot and terminal block, see diagram below for AC + CW wiring arrangements.
- 5) When link is not connecting pins (as supplied) Range = 60-100°. When link connects pins Range = 30-60°.
- 6) With the Universal Limit Switch Box mounted on actuator, set actuator at centre of travel and loosen the two screws securing the feedback pot. Rotate the pot until circuit output reads 12mA, and retighten the screws to clamp pot in position.
- 7) Rotate actuator to the end stop where you want to read 4mA. Adjust ZERO pot until output reads 4mA.
- 8) Rotate actuator to opposite stop where you want to read 20mA. Adjust SPAN pot until output reads 20mA.
- 9) Repeat steps 7 & 8 until reading is correct at both ends.



ISSUE
A

01/12/04
AJK

KINETROL

Trading Estate, Farnham, Surrey, England.

DOC NO. TD 135
Page 1 of 1

KF-510 09/05