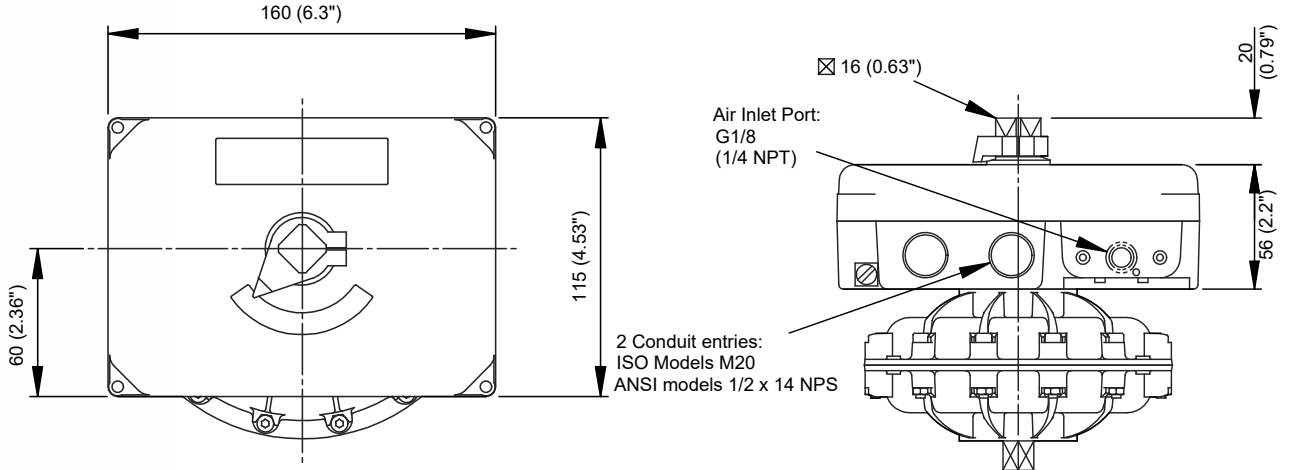


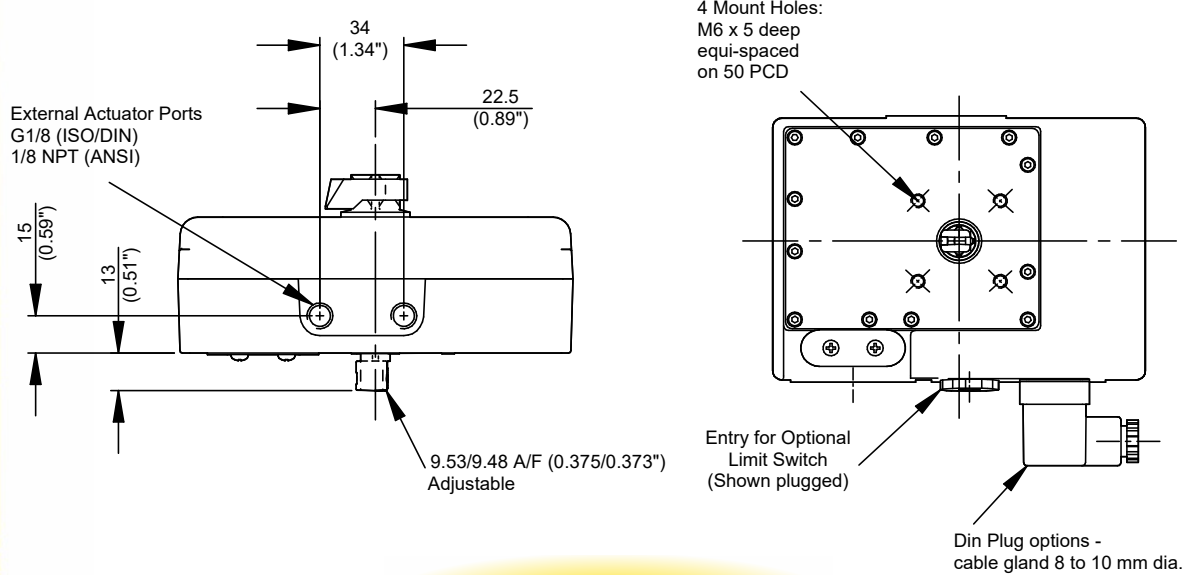
EL Positioner Dimensions



| Actuator Model | *Additional Adaptor Dim. | Additional Adaptor Weight |
|----------------|--------------------------|---------------------------|
| 12, 14 & 15 | 15.5 (0.61") | 0.56 kg / 1.21 lbs |

EL Positioner shown direct mounted on a Kinetrol 05 actuator

Kinetrol Discrete Version



Namur Discrete Version

