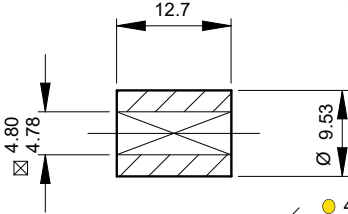
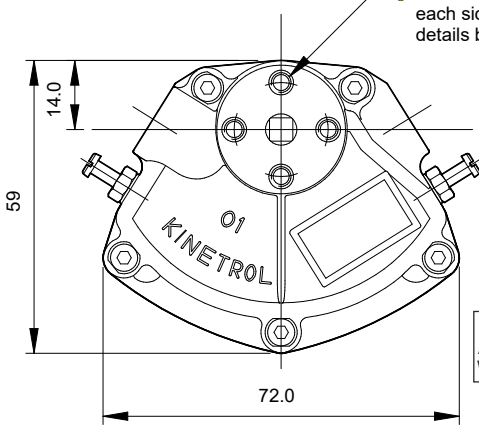


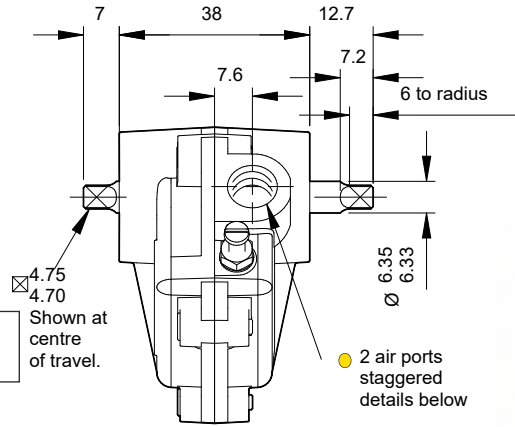
Standard Coupling  
(supplied with both actuator types  
weight 0.2 oz/0.005 kg)



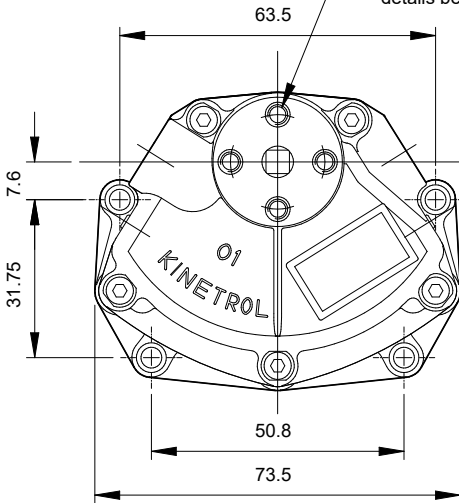
4 Mount Holes  
each side  
details below



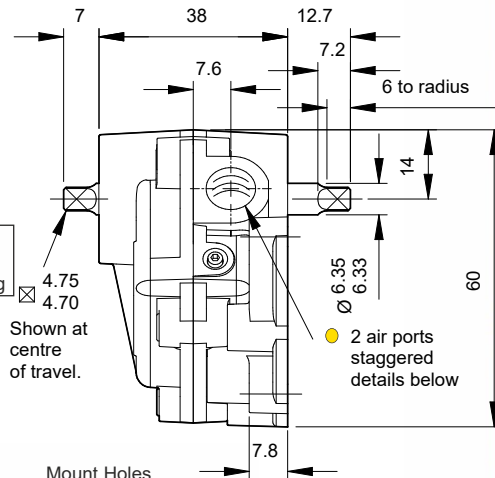
ACTUATOR 014-100  
Angle of travel: 78° - 100°  
Weight 0.62 lb/0.28 kg



4 Aux. Mount Holes  
each side  
details below



ACTUATOR 014P100  
Angle of travel: 90°  
Weight 0.77 lb/0.34 kg



**Air Port/Mount Hole Details**

Model	Air Ports	Mount Holes
014-100	G <sup>1</sup> / <sub>8</sub>	4 x M4 x 6 deep on 19.0 PCD
017-100	1/8 NPT	4 x 8-32 UNC x 0.25" deep on 0.75" PCD
014P100	G <sup>1</sup> / <sub>8</sub>	4 x Ø4.1 (M4 clearance)

**Specification**

**Output Torque**

58 lbf ins/6.7 Nm  
at 100 psi/7 bar

**Angle of Travel**

See Drawings  
(restricted travel  
versions available)

**Displaced Volume**

1.00 in<sup>3</sup>/16.5 cm<sup>3</sup>

**Finish**

Epoxy stove enamel

**Weight**

See Drawings

For further information  
see General Specification  
on page 5.

**Options**

- Conversion kit between two types. SP870
- Fail safe spring return units - clockwise or counter clockwise see pages 27/28 (springs mounted above the actuator)
- Code identification see page 30
- Torque outputs see pages 6-8
- See pages 57/58 for English dimensions and TD121 for dimensions of spring options

